

Via dei Carmelitani, 2
24021 Albino BG
tel. ++39 35 776400
fax ++39 35 755020
www.fassigroup.com
fassi@fassigroup.com

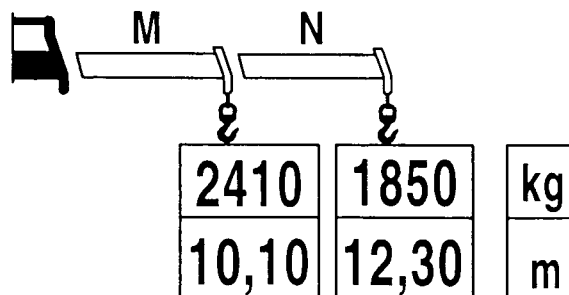
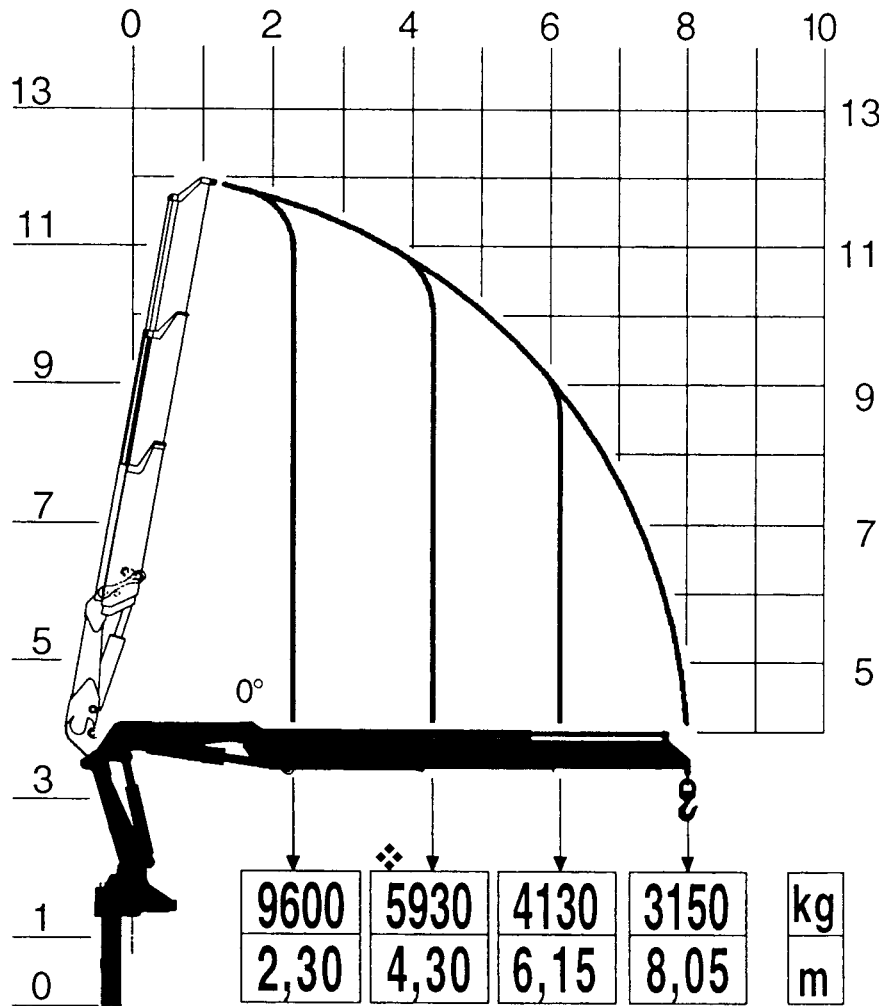
LOAD DIAGRAM WITH LIFTING MOMENT LIMITING DEVICE

FASSI

F270A.22

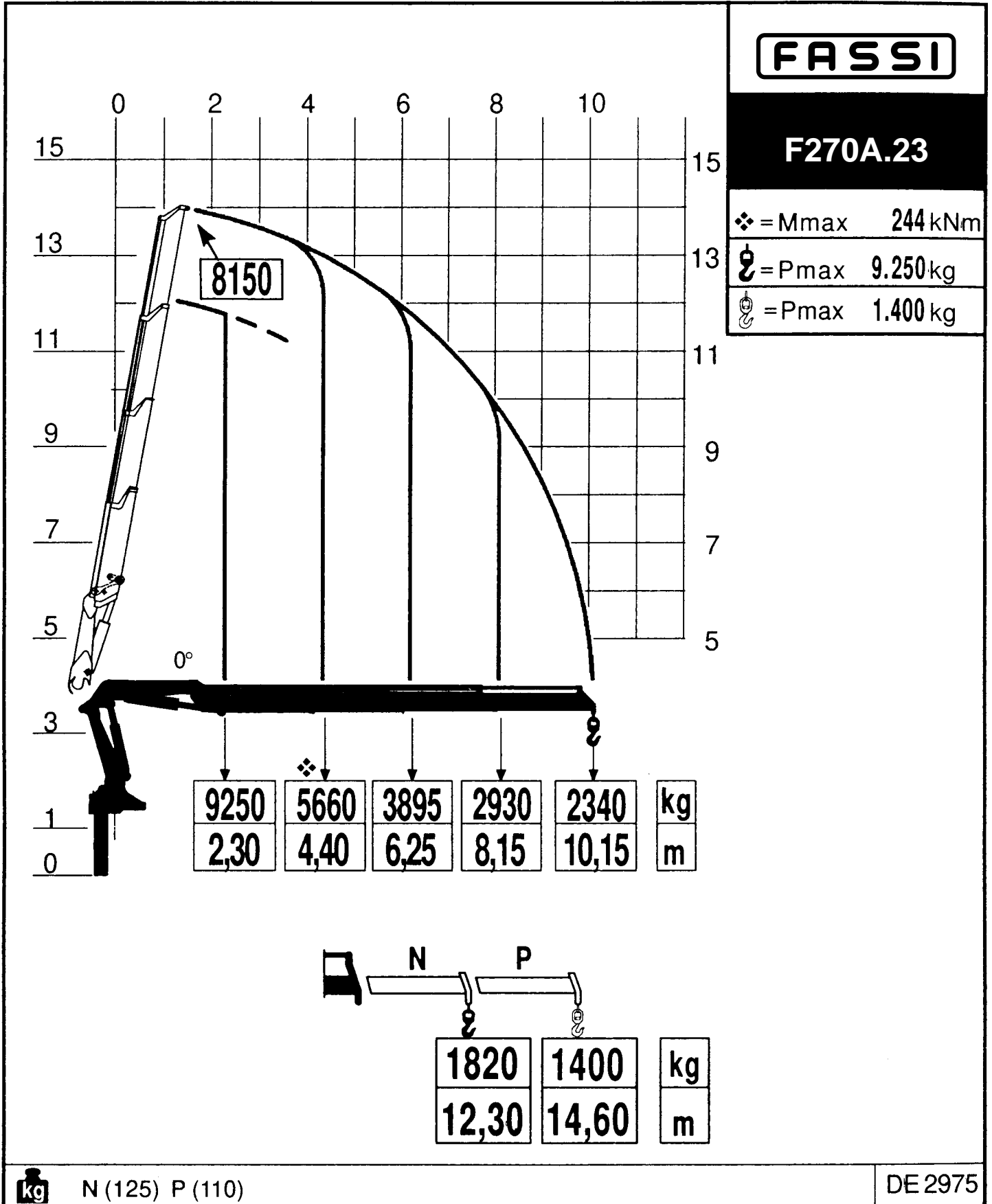
❖ = Mmax 250 kNm

⊗ = Pmax 9.600 kg



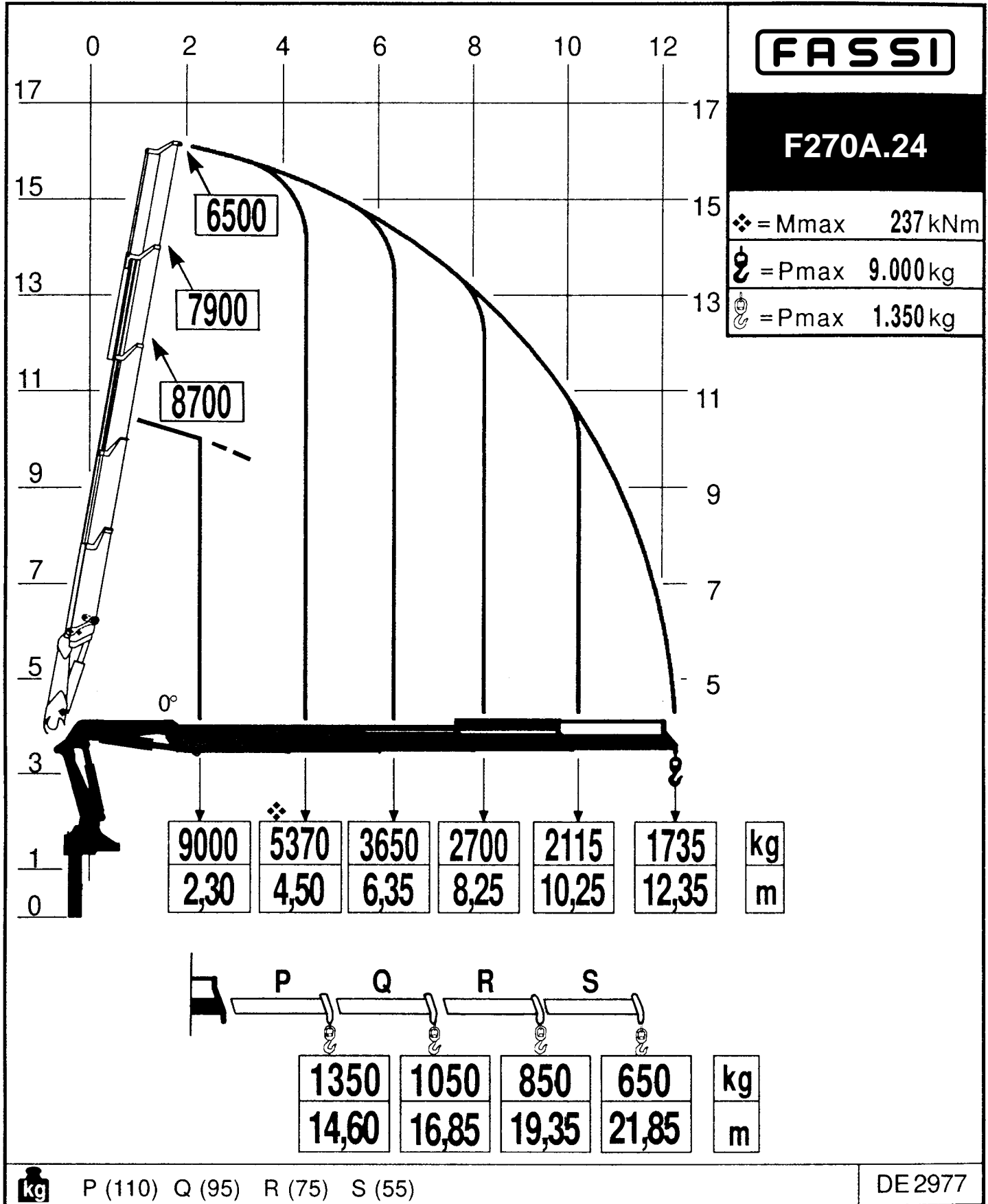
Via dei Carmelitani, 2
24021 Albino BG
tel. ++39 35 776400
fax ++39 35 755020
www.fassigroup.com
fassi@fassigroup.com

LOAD DIAGRAM WITH LIFTING MOMENT LIMITING DEVICE



Via dei Carmelitani, 2
24021 Albino BG
tel. ++39 35 776400
fax ++39 35 755020
www.fassigroup.com
fassi@fassigroup.com

LOAD DIAGRAM WITH LIFTING MOMENT LIMITING DEVICE



FASSI

F270A.24

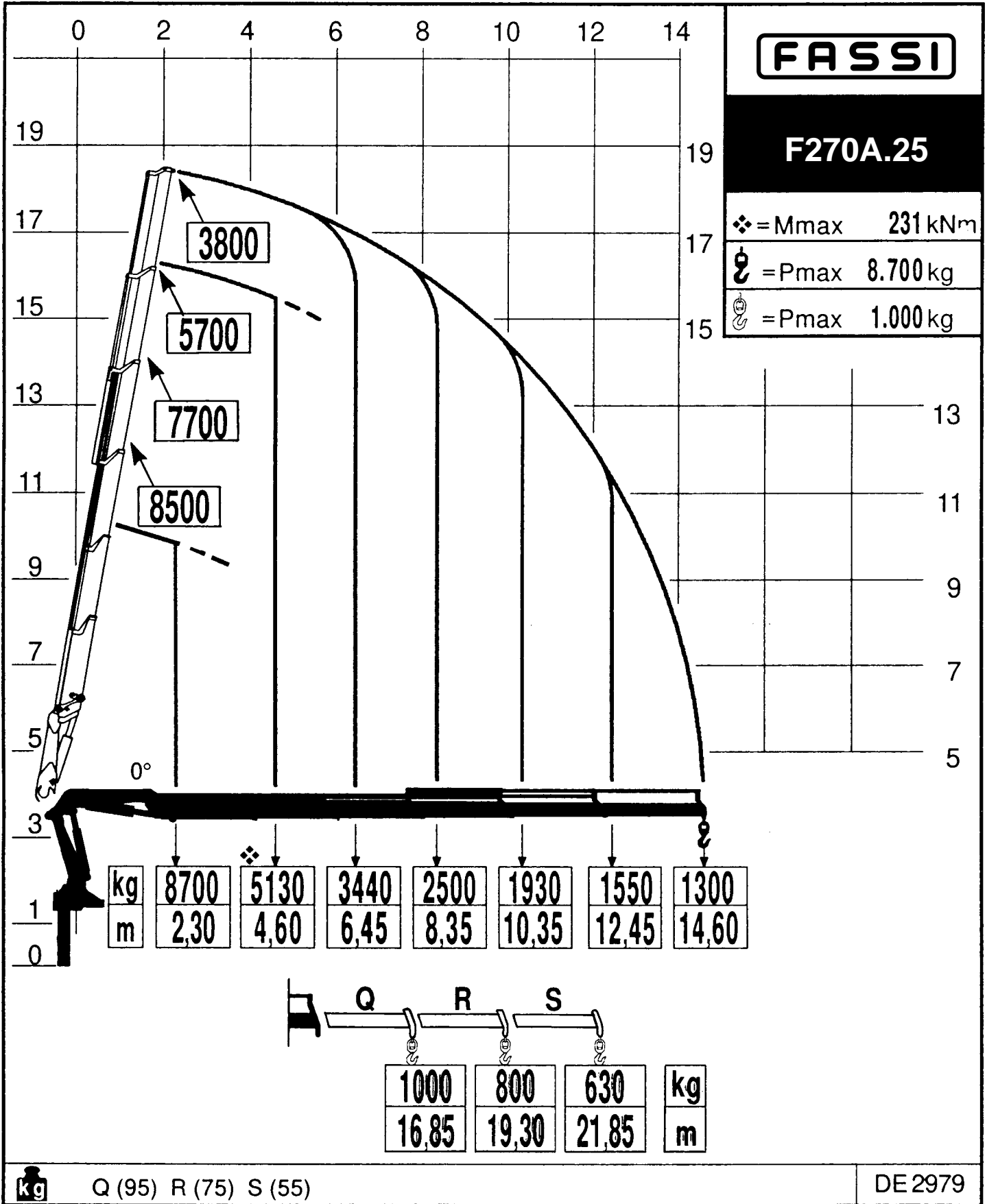
❖ = Mmax 237 kNm

⚙ = Pmax 9.000 kg

⚙ = Pmax 1.350 kg

Via dei Carmelitani, 2
24021 Albino BG
tel. ++39 35 776400
fax ++39 35 755020
www.fassigroup.com
fassi@fassigroup.com

LOAD DIAGRAM WITH LIFTING MOMENT LIMITING DEVICE



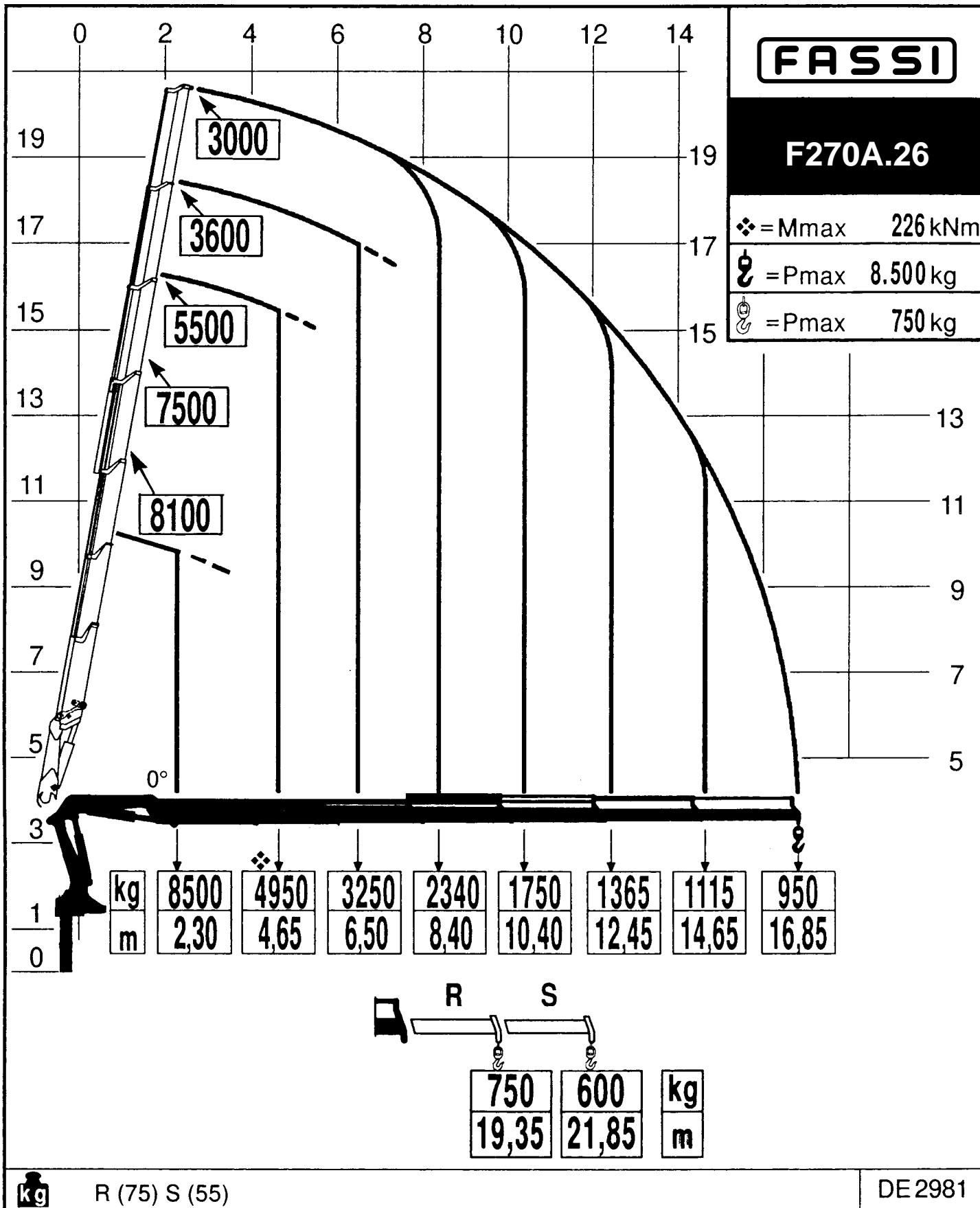
FASSI

F270A.25

- ❖ = Mmax 231 kNm
- ⚙ = Pmax 8.700 kg
- 🔗 = Pmax 1.000 kg

Via dei Carmelitani, 2
24021 Albino BG
tel. ++39 35 776400
fax ++39 35 755020
www.fassigroup.com
fassi@fassigroup.com

LOAD DIAGRAM WITH LIFTING MOMENT LIMITING DEVICE



FASSI

F270A.26

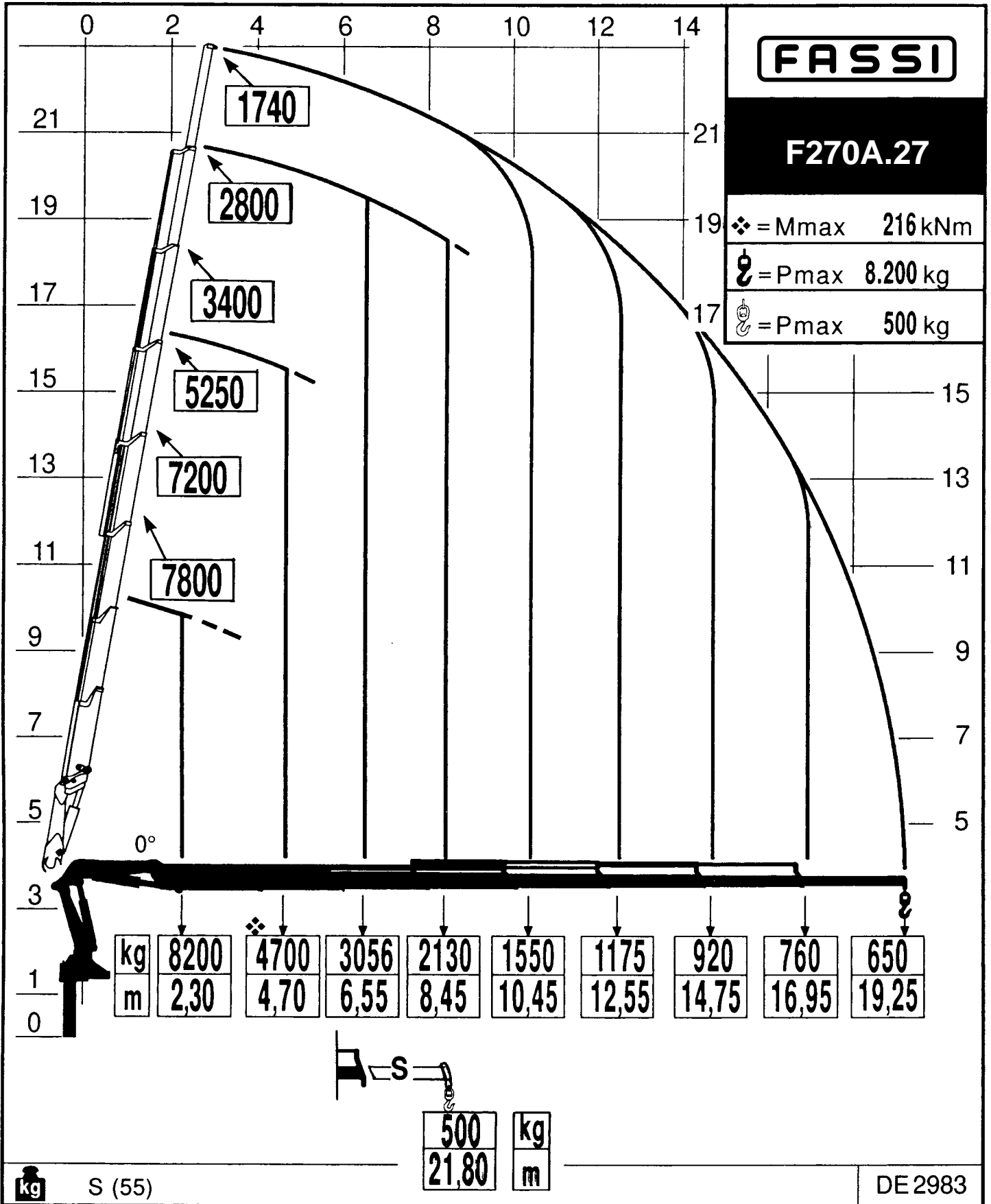
❖ = Mmax 226 kNm

⚙ = Pmax 8.500 kg

⚙ = Pmax 750 kg

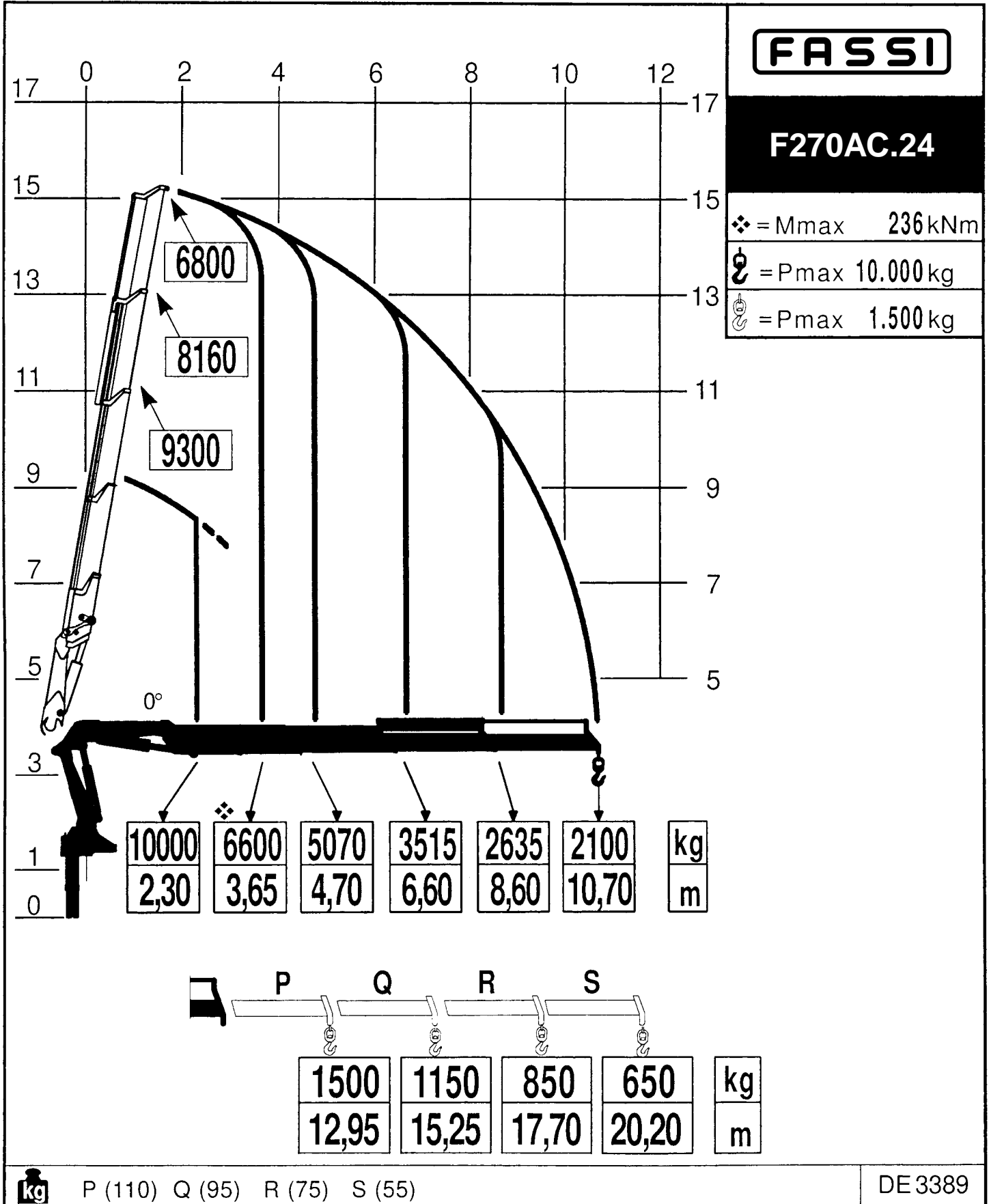
Via dei Carmelitani, 2
24021 Albino BG
tel. ++39 35 776400
fax ++39 35 755020
www.fassigroup.com
fassi@fassigroup.com

LOAD DIAGRAM WITH LIFTING MOMENT LIMITING DEVICE



Via dei Carmelitani, 2
24021 Albino BG
tel. ++39 35 776400
fax ++39 35 755020
www.fassigroup.com
fassi@fassigroup.com

LOAD DIAGRAM WITH LIFTING MOMENT LIMITING DEVICE



FASSI

F270AC.24

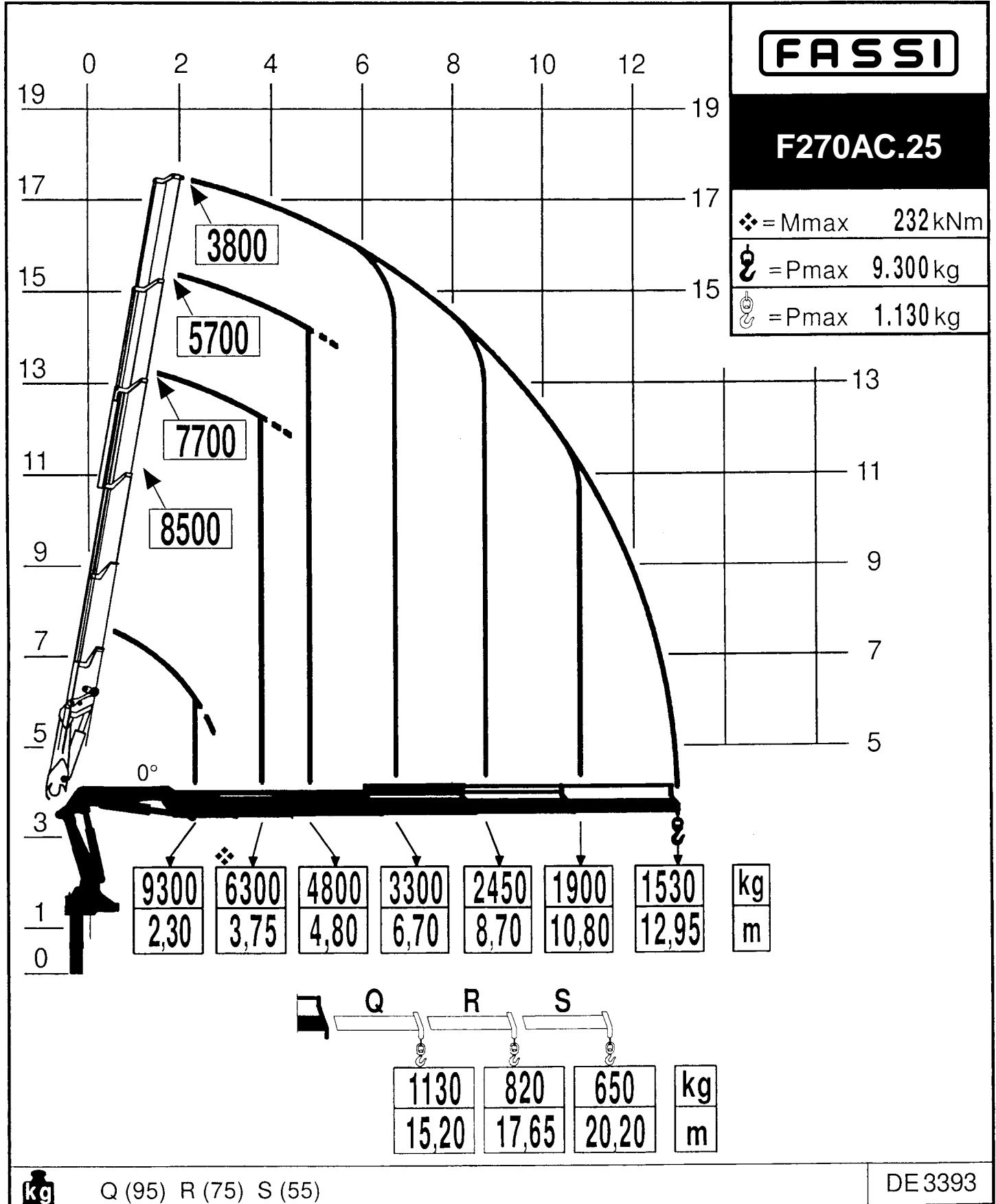
❖ = Mmax 236 kNm

⚙ = Pmax 10.000 kg

⚙ = Pmax 1.500 kg

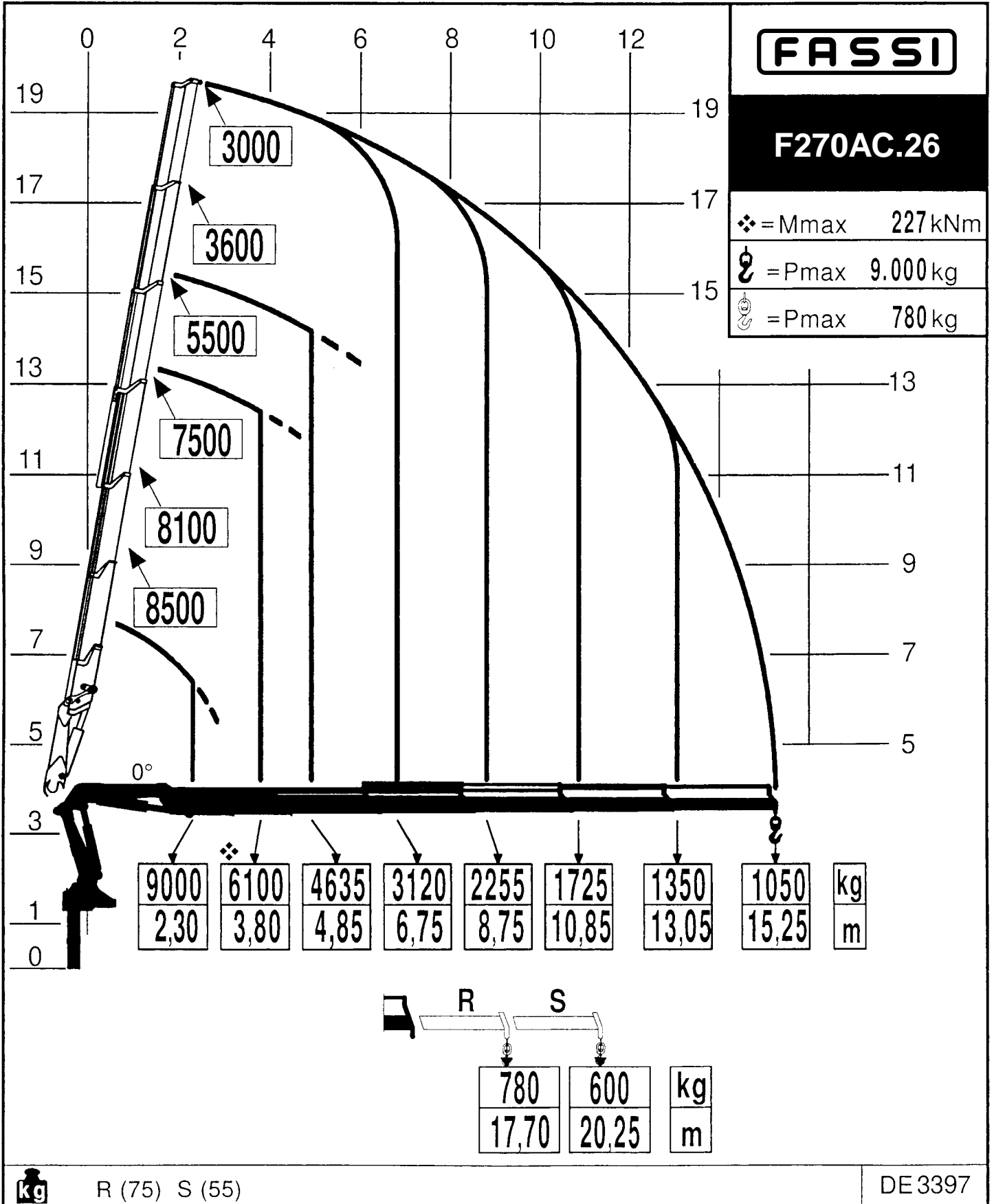
Via dei Carmelitani, 2
24021 Albino BG
tel. ++39 35 776400
fax ++39 35 755020
www.fassigroup.com
fassi@fassigroup.com

LOAD DIAGRAM WITH LIFTING MOMENT LIMITING DEVICE



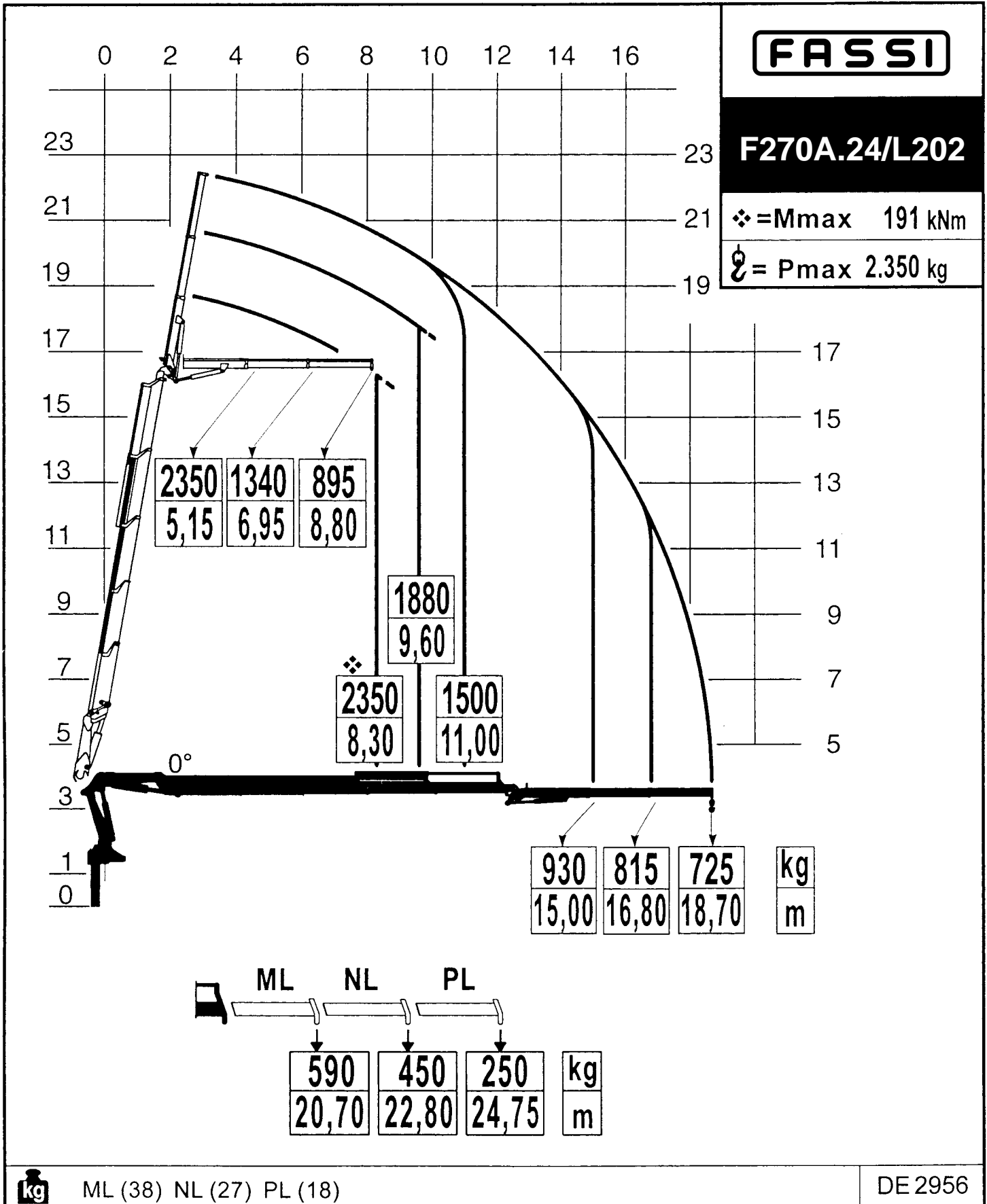
Via dei Carmelitani, 2
24021 Albino BG
tel. ++39 35 776400
fax ++39 35 755020
www.fassigroup.com
fassi@fassigroup.com

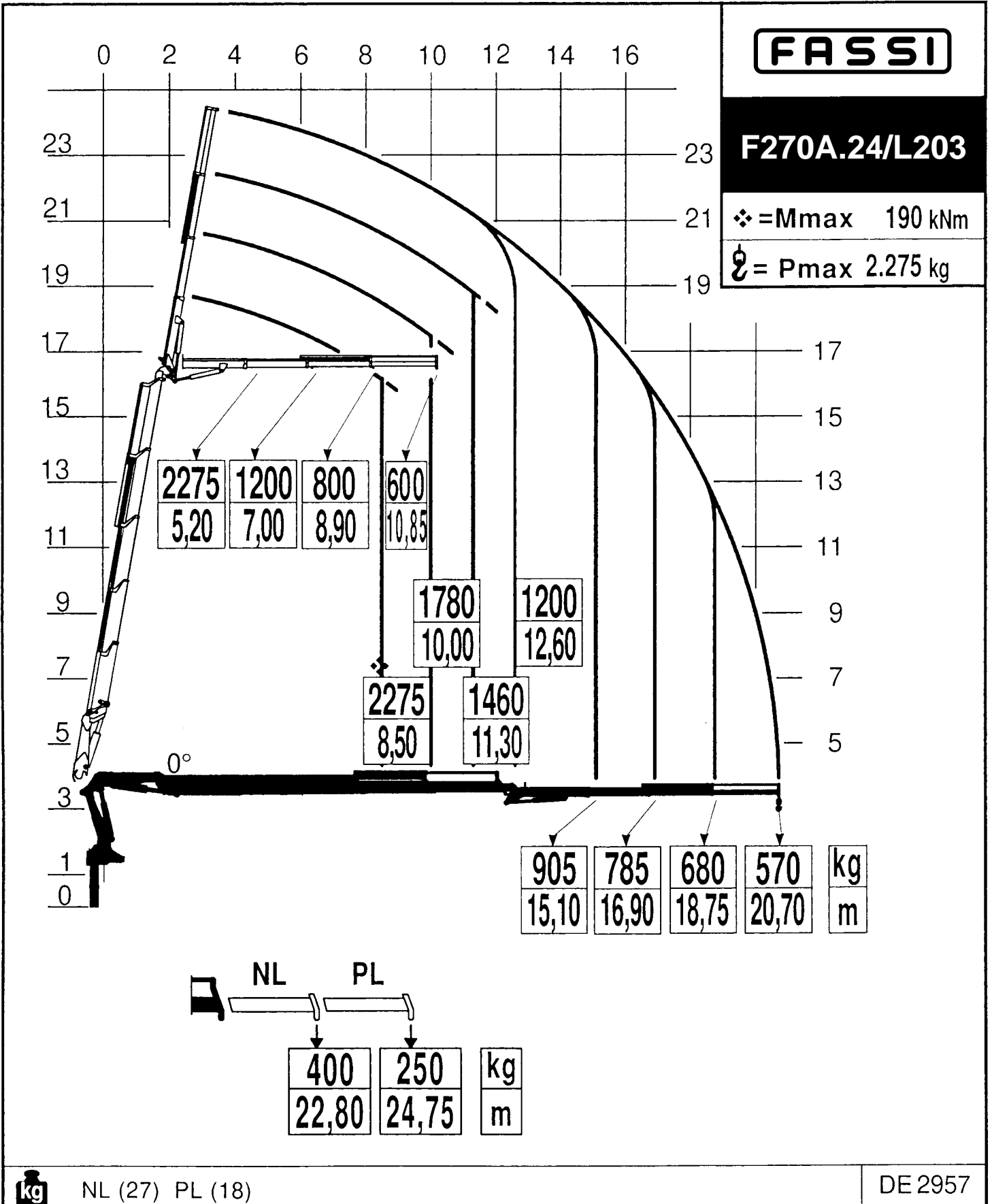
LOAD DIAGRAM WITH LIFTING MOMENT LIMITING DEVICE



Via dei Carmelitani, 2
24021 Albino BG
tel. ++39 35 776400
fax ++39 35 755020
www.fassigroup.com
fassi@fassigroup.com

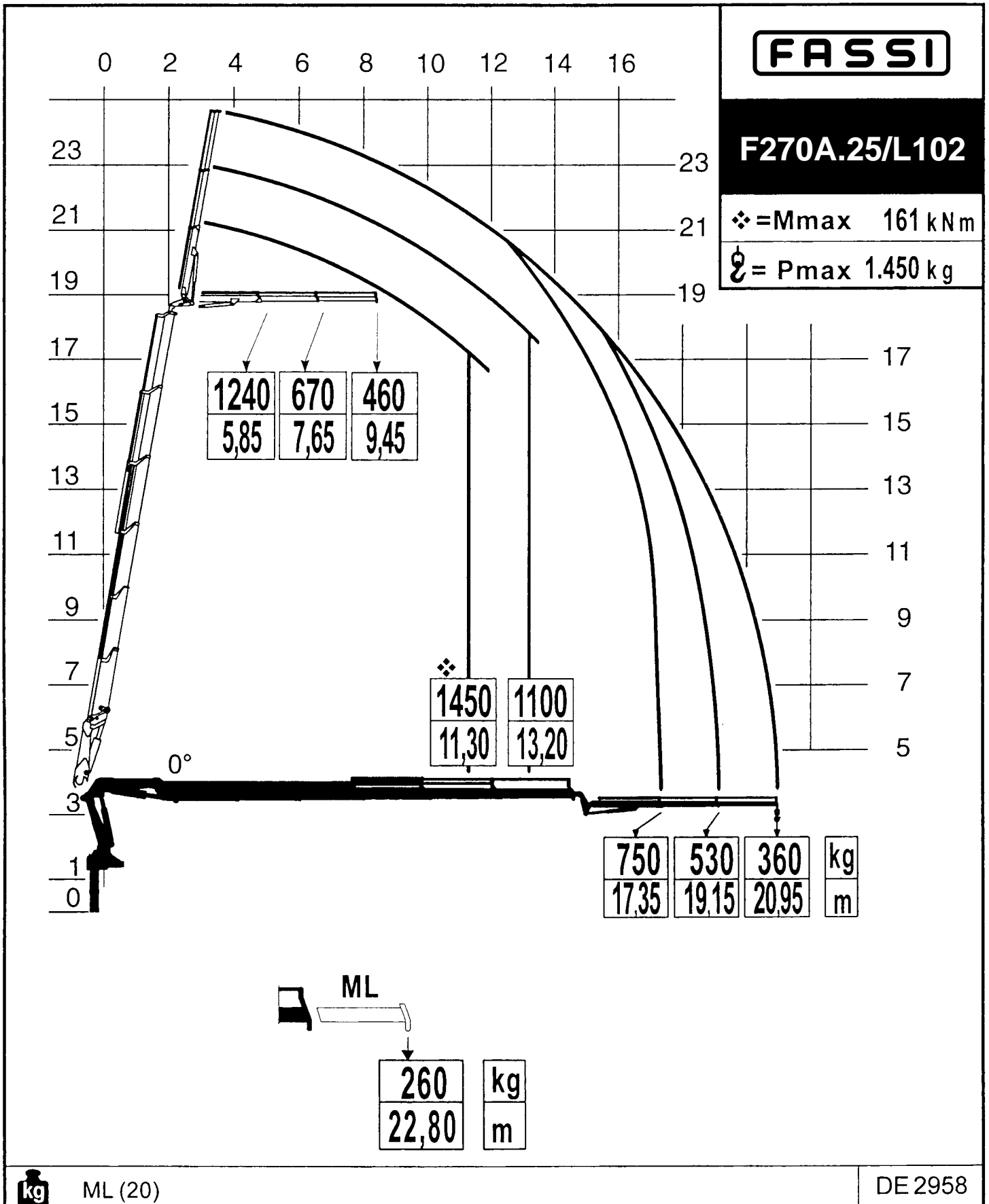
LOAD DIAGRAM IDRAULIC EXTENSIONS WITH LIFTING MOMENT LIMITING DEVICE





Via dei Carmelitani, 2
24021 Albino BG
tel. ++39 35 776400
fax ++39 35 755020
www.fassigroup.com
fassi@fassigroup.com

LOAD DIAGRAM IDRAULIC EXTENSIONS WITH LIFTING MOMENT LIMITING DEVICE



Via dei Carmelitani, 2
24021 Albino BG
tel. ++39 35 776400
fax ++39 35 755020
www.fassigroup.com
fassi@fassigroup.com

LOAD DIAGRAM IDRAULIC EXTENSIONS WITH LIFTING MOMENT LIMITING DEVICE

